

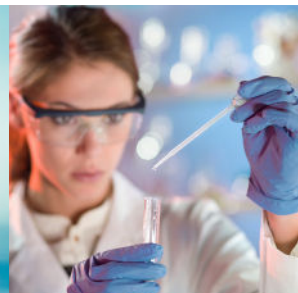


FB-E

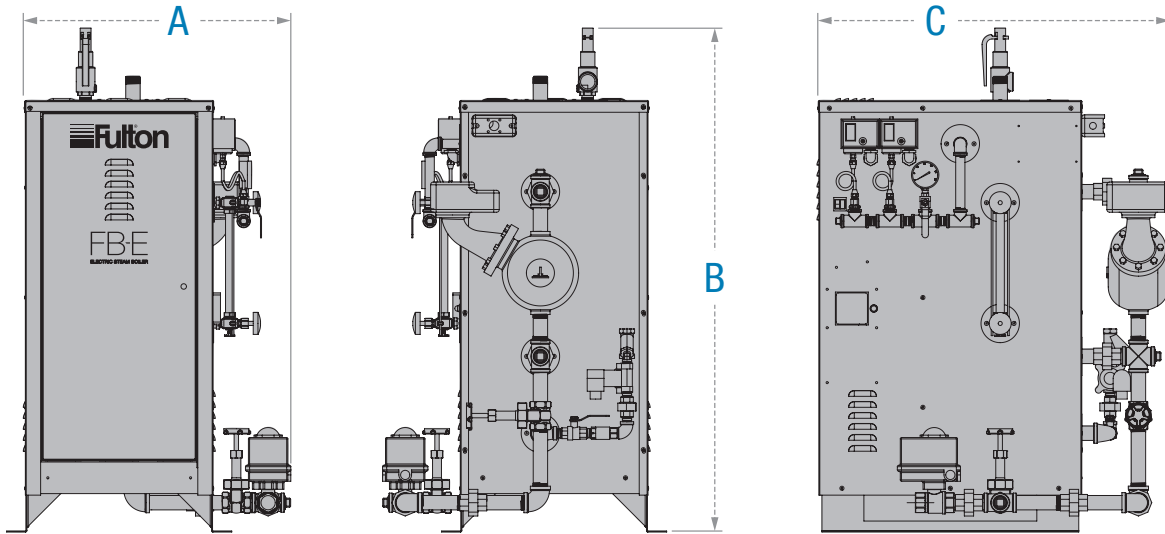
ELECTRIC STEAM BOILERS

12kW to 180kW

- ▶ NEARLY 100% EFFICIENT
- ▶ ZERO EMISSIONS
- ▶ COMPACT DESIGN
- ▶ CLEAN & SAFE



The FB-E is a compact and reliable electric steam boiler capable of producing high-quality saturated steam with nearly 100% efficiency. The FB-E is a clean-running, combustion-free boiler featuring a design pressure of 100 PSI and ASME-M certification.



MODEL FB:	012E	018E	024E	030E	036E	048E	060E	072E	084E	108E	144E	157E	180E	
Boiler Output	BTU/HR	40,840	61,259	82,014	102,434	122,853	163,693	204,867	245,707	286,546	368,560	491,413	537,609	614,266
Steam Output	LBS/HR	42	63	84	106	127	169	211	253	295	380	506	554	633
DIMENSIONS														
(A) Width	IN	20.9	20.9	25.875	25.875	25.875	25.875	25.875	25.875	28.25	28.25	30.375	30.375	30.375
(B) Height	IN	36.7	36.7	45.875	45.875	45.875	45.875	45.875	45.875	60.3	60.3	59.875	59.875	59.875
(C) Depth	IN	31.375	31.375	32.5	32.5	32.5	32.125	32.125	32.125	33.3	33.3	35.375	35.375	35.375
WEIGHTS (approximate)														
Shipping Weight	LBS	225	225	360	360	360	360	360	360	700	700	761	761	761
Operating Weight	LBS	184	184	337	337	337	431	431	431	573	573	837	837	837
Flooded Weight	LBS	201	201	381	381	381	475	475	475	656	656	949	949	949

Find your local sales
representative online at:

www.fulton.com/sales



/FULTON-COMPANIES



/FULTONBOILER



@FULTONBOILER



Fulton Steam Solutions, Inc.
972 Centerville Road
Pulaski, NY 13142
(315) 298-5121

Printed in the U.S.A
FBE_BRO_2016-0804



Learn more about
Fulton products and
services online at:
www.fulton.com